

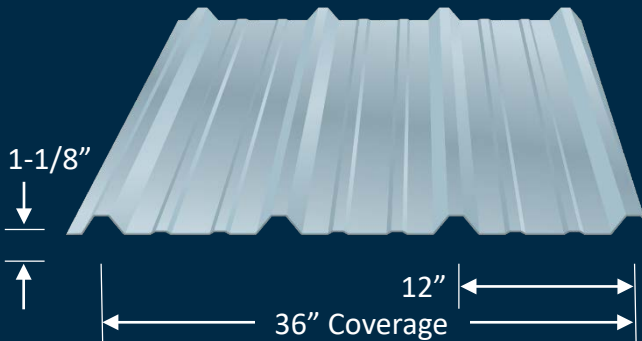


# PBR (4-Rib)

808-246-6600    [Info@IslandMetals.com](mailto:Info@IslandMetals.com)    [www.IslandMetals.com](http://www.IslandMetals.com)



## Amazing Strength & Water Tightness



Add strength, character, and long lasting style to both residential and commercial projects with Island Metals PBR panel. Featuring a 4 rib panel that adds strength and style.

36" coverage with exposed fasteners allows for quick installation while providing the highest level of architectural flexibility for your roof design.

# ACCESSORY OPTIONS FOR ISLAND METALS - PBR PROFILE

## Skylight Trim Kit

- Metal Roofing trim designed to connect skylights for a water-tight seal

## Custom Trim

- Same roof color metal
- Ridge cap, valley, drip edge, skylight kit, rake trim, sidewall, transition, end wall, and others

## Pipe Boots

- Designed for metal roofs
- Different size options

## Metal Roof Sealant

- Weather-tight seal against the elements
- Exceptional adhesion
- Color match to roof

## Reflective Foil Insulation

- Reflect 96% of Radiant Energy
- Energy Star Compliant
- Reduce Building Heat

## Underlayment

- 100% Waterproof and nail sealable
- UL Classified for protection
- Maximum flexibility and longevity

## Stainless Steel Screws

- Corrosion protection of stainless steel
- Painted screw heads to match the roof

## 1X4 Wood Purlins

- Add structural stability
- Install over existing roof

# PBR (4-Rib) Profile Specifications

Colors: 12 Colors & Metal Finishes Available

Coverage: 36" Net Coverage

Material: 26 & 24 Gauge Steel

Finish: Primer and PVDF Coating

Warranty: 30 Year Limited Paint Warranty

Min. Slope: 3:12

Substructure: 15/32" (min.) Plywood, 1"x4" Purlins on Plywood or 16 gauge (min.) Open Steel Framing



808-246-6600

[www.IslandMetals.com](http://www.IslandMetals.com)

[Info@IslandMetals.com](mailto:Info@IslandMetals.com)